



## INSTALLATION INSTRUCTIONS

instructions

### Arches

Arches come as a true half round with 3" extensions that can be cut to adjust the arch to line up with the bottom of the window (except for 150-330 & 150-310 arches which do not have the extensions). Melton Classics arches can be installed using galvanized nails or screws and work well with nail guns. Please test to set depth of the nail before installing. Arches larger than 48" are provided in two halves that need to be joined in the center at the top of the window. We recommend using urethane adhesive in the joint to prevent separation.

### Balustrade Systems

Melton Classics provides complete installation instructions with every order. Please call us for an advanced faxed copy. All balusters should be installed with urethane adhesive, please do not forget to order it. We recommend one 10 oz. tube for every section of top and bottom rail.

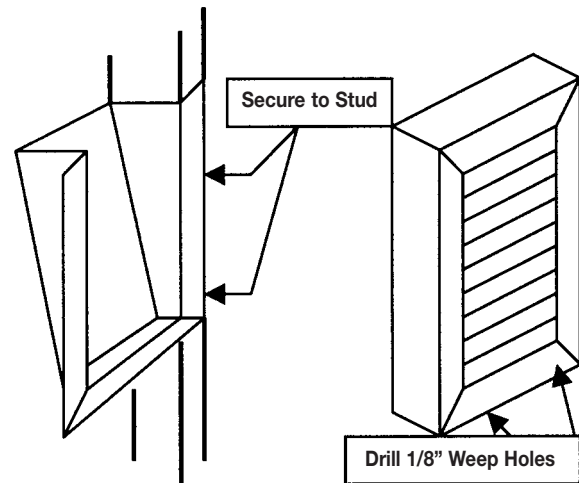
### Entrance Systems

Entrance Features should be installed using a combination of galvanized fasteners and urethane adhesive. First locate the center point of your door and crosshead. If your system has sidelights, take your measurement from the outside of the entire system to locate the center point. Mark the top jamb at the bottom edge so your mark is visible when installing the crosshead. Install your crosshead or combo crosshead & pediment using galvanized fasteners. We recommend using galvanized screws. Apply urethane adhesive to the back of the entry head and fasten into place making sure to line up the center mark on the crosshead with the center mark on the door jamb.

### Louvers

Louvers should be installed with galvanized fasteners and urethane adhesive. Most commonly the louvers are secured through the brick moulding. The urethane adhesive should be applied in a 1/4" bead about 3/8" from the outside edge of the louver and squeezed out to the edge and act as a caulk and sealant to prevent water seepage when the louver is secured with fasteners.

All open louvers may allow water seepage during severe weather conditions. Melton Classics recommends installing a flash pan to catch any water seepage. This can be fashioned out of sheet metal or coil stock and fastened in position before louver installation.



Secure the flash pan to the studs or sheathing. Drill 1/8" weep holes to allow any water seepage to escape.

### Mouldings

Moulding installation instructions are included with every moulding order. Look for the box with the red stamp.

**INSTALLATION INSTRUCTIONS  
ENCLOSED**

If for some reason the instructions did not come with your order, please call us and we will fax or e-mail them to you.

### IMPORTANT - READ CAREFULLY

Mouldings should not be installed until the Installation Instructions have been read.

1. Install mouldings on a solid backing with studs or joists 16" on center or less. **NOTE: Large profiles require additional blocking.**

## INSTALLATION INSTRUCTIONS

2. Mark the distance on the wall to be covered by the first piece of moulding. Oversize and cut the moulding, adding 1/8" for every 5 feet of moulding required.  
*Example: If the distance to be covered is 15' cut your moulding at 15' 3/8".*
3. Run a bead of urethane adhesive along the top and bottom edge of the moulding where it will meet the backing.
4. Using galvanized screws, fasten one end of the moulding to your starting point. Pull the center of the moulding away from the wall, which will draw the free end of the moulding back to the 15" mark. Secure the free end of the moulding at the mark.
5. Push the center of the moulding flat to the surface. The moulding should snap into place. Secure with galvanized screws, 16" on center or less. If the moulding does not push flat, you need to unfasten one end and resecure the moulding approximately 1/8" past your 15" mark.
6. For continuous long runs for moulding.
  - A. Install the first piece using the procedure above.
  - B. For the second piece, follow steps 1 through 3.
  - C. Step 4 (above) anchors the end of the moulding on your mark. Then apply urethane adhesive to the end of the first piece, this will adjoin the next piece of moulding.
  - D. Butt the free end of the moulding to your first piece and follow step 5 to secure in place.

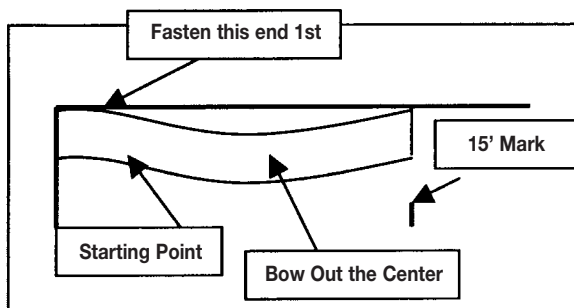


Figure 1

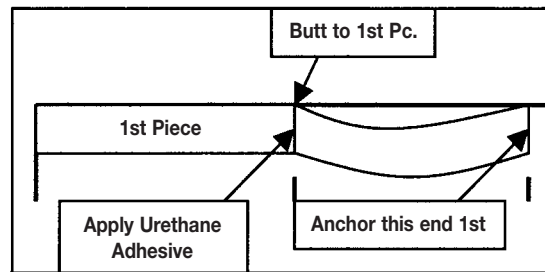


Figure 2

### Shutters

Shutters are face mounted using galvanized masonry screws or wood screws. These can be countersunk and filled with Bondo® or any quality two part plastic wood filler.

Another option is to use a decorative washer around the screw, which can be painted the color of the shutter. This eliminates the need to patch and fill holes while still maintaining a clean look.



### Window Heads

Window heads should be face mounted using galvanized screws and urethane adhesive. Countersink the fasteners and fill with Bondo® or any two part plastic wood filler. Make sure to flash properly before applying siding.

### Window Panels

Window panels should be face mounted using galvanized fasteners and urethane adhesive. Countersink the fasteners and fill with Bondo® or any two part plastic wood filler. Make sure to flash properly before applying siding.



## INSTALLATION INSTRUCTIONS

### GENERAL TOPICS

#### Urethane Adhesive

Melton Classics recommends urethane adhesive only to join urethane parts. Urethane adhesive actually expands after it comes out of the tube and moves into the foam cells of the part to form the best adhesion possible. Standard construction adhesives do not do this and will not perform as well with urethane products.

#### Factory Coating

Urethane millwork is factory painted with a high emulsion exterior paint that requires no additional finishing upon installation.

#### Storage

It is important to store urethane millwork in the temperature conditions in which it is being installed. If the product is stored in a trailer and the temperature inside the trailer is hotter than the temperature outside, the product may contract after it is removed from the trailer. Remove the product 24 hours in advance of installation and allow the product to adjust to the temperature conditions in which it is being installed. This is a very important step, especially with mouldings.

#### Flashing

Urethane millwork is installed in the same manner as wood and while the parts themselves will not rot or absorb moisture the wood behind them will. It is necessary to flash urethane parts using the same techniques that are

used with wood. Caulk is a temporary solution to protect against water seepage and expansion and contraction of the building. The caulk seal may eventually crack allowing water seepage. We recommend using aluminum or vinyl flashing material to provide a final solution.

#### Preparation

Fill fastener holes with painters putty, Bondo® or a two-part plastic wood filler. Make sure to follow the manufacturers mixing and application instructions. For moulding joints where the skin surface was sanded through, use a skim coat of Bondo® or other two-part plastic filler to re-establish a smooth paintable surface.

#### Paint

Use any quality latex or oil-base paint. No primer coat is needed, as our parts are ready to receive a topcoat.

#### RETURN POLICY

All return products must be approved by a Melton Classics representative and a return authorization number must be obtained. All authorized returns are subject to a minimum 30% restocking charge. Melton Classics expects both the product and packaging to be returned in the same condition as it was sent and reserves the right to charge extra for damage to packaging. We will not accept any return of custom or special fabricated product. In addition, Melton Classics will not accept any return without an authorization number and or 30 days after the date of shipment.

## INSTALLATION INSTRUCTIONS

### Newel Post Installation Kit

(Order 1 kit per Newel Post)

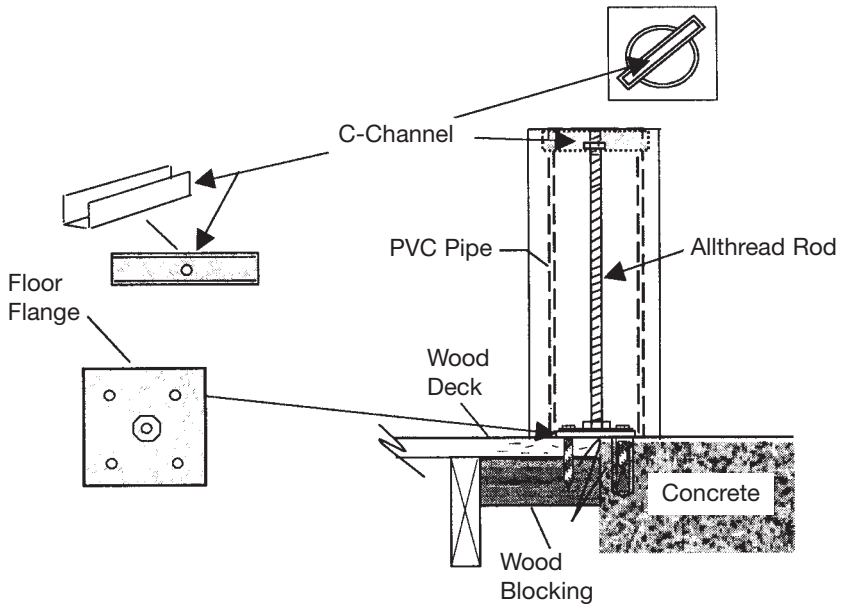
Melton Classics has developed separate installation kits for wood and concrete. Please specify when ordering.

#### Wood Kit

1. One floor flange.
2. Four 3/8" x 2 1/2" lag bolts.
3. One 1/2" x 54" threaded rod.
4. One "C" channel.
5. One 1/2" nut and lock washer.

#### Concrete Kit

1. One floor flange.
2. Four concrete anchors and bolts.
3. One 1/2" x 54" threaded rod.
4. One "C" channel.
5. One 1/2" nut and lock washer.



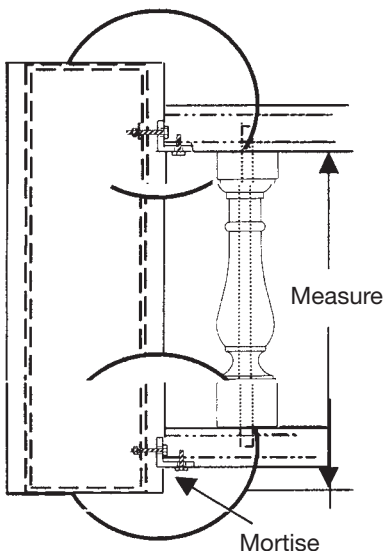
### Railing Installation Kit

(Order 1 kit per Top & Bottom Rail Section)

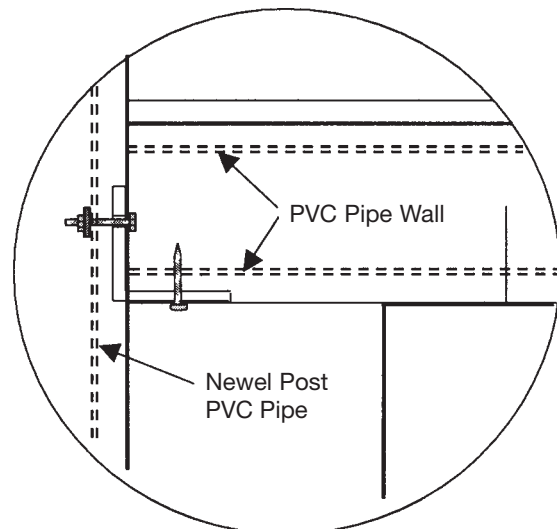
#### Railing Installation Kit

1. 2 pre-punched aluminum angle brackets (Top Rail).
2. 2 pre-punched aluminum angle brackets w/threaded inserts (Bottom Rail).
3. Eight 1/4" x 2" machine bolts w/nuts, flat washers and lock washers.
4. Four or eight #14 x 2" self tapping screws.
5. Two or four 5/16" x 1 1/2" hex head bolts.

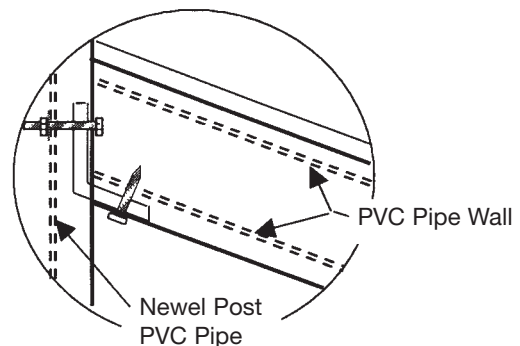
**NOTE: Quantities may vary depending on kit.**



#### Rail Application



#### Stair Application



instructions